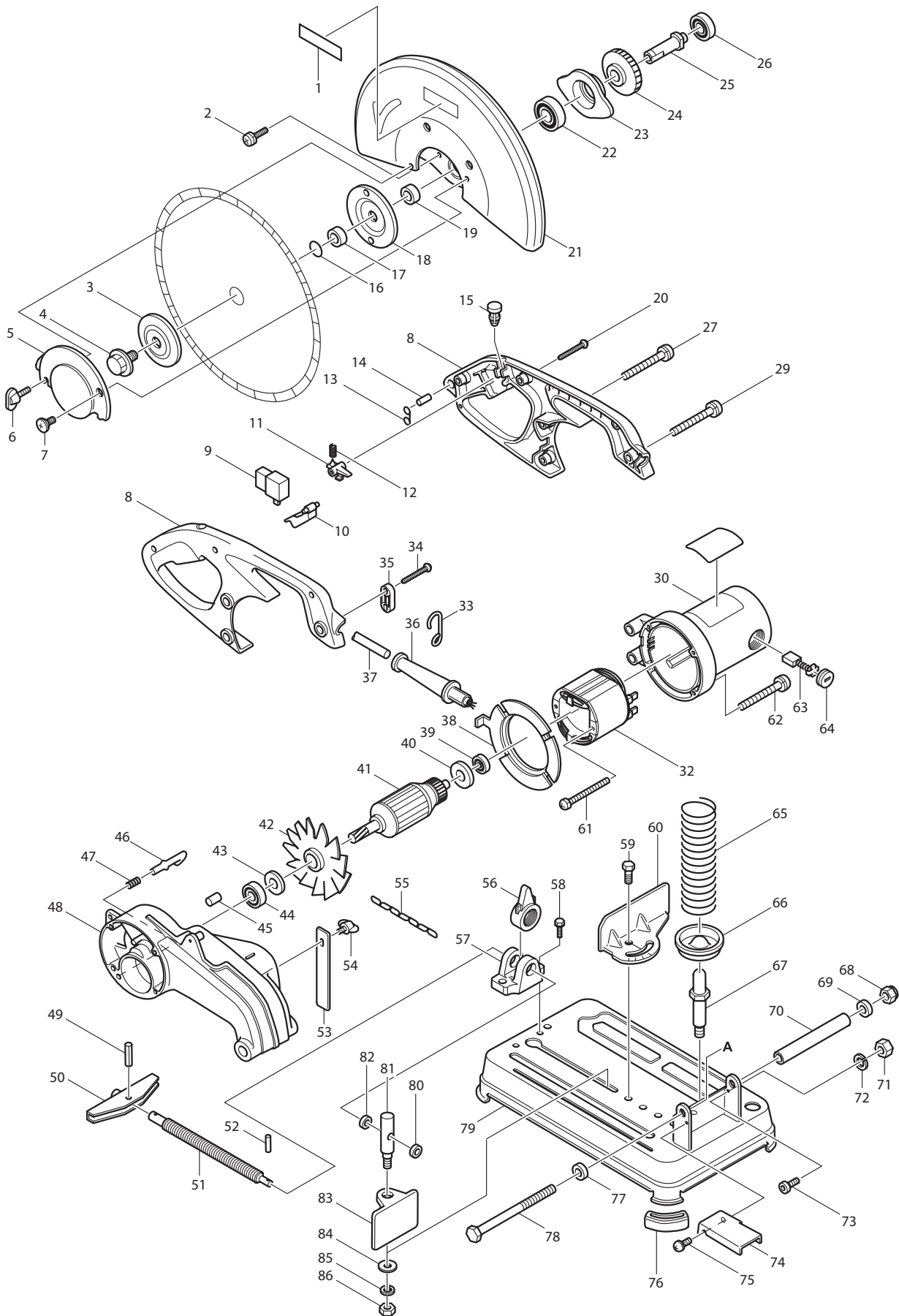




03 - 2010
2414NB
14" CUT-OFF SAW



Item No	Type	Ref	Part No	Description	Qty	Unit
1			819064-1	MAKITA MARK	1	PC.
2			911333-7	PAN HEAD SCREW M6X20	4	PC.
3			224299-5	FLANGE 90	1	PC.
4			251680-7	HEX. BOLT M10X25	1	PC.
5			150515-8	SAFETY GUIDE COMPLETE	1	PC.
7		1	265020-3	+ FLAT HEAD SCREW I6	1	PC.
		2	265121-7	+ FLAT HEAD SCREW I6	1	PC.
8			182628-7	HANDLE SET	1	SET
9			651922-3	SWITCH TG71B, SINGLE, W/O LOCK	1	PC.
10			152463-7	SWITCH LEVER COMPLETE	1	PC.
11			415366-9	SWITCH LOCK	1	PC.
12			231397-8	COMPRESSION SPRING 4	1	PC.
13		1	281207-9	HANGER	1	PC.
		2	281216-8	HANGER	1	PC.
14		1	256012-3	PIN 6	1	PC.
		2	268101-2	PIN 6	1	PC.
15		2	417113-4	* SWITCH BUTTON (OLD# 411478-6)	1	PC.
16			213162-7	O RING 14	1	PC.
17			257185-5	ADAPTOR RING 17	1	PC.
18			224299-5	FLANGE 90	1	PC.
19			257185-5	ADAPTOR RING 17	1	PC.
20			265995-6	TAPPING SCREW 4X18	4	PC.
21			165126-6	SAFETY COVER	1	PC.
22		1	211256-2	* BALL BEARING 6203LLB	1	PC.
		2	211282-1	* BALL BEARING 6203ZZ	1	PC.
23			316527-3	BEARING BOX	1	PC.
24			226415-5	HELICAL GEAR 41	1	PC.
25			322633-4	SPINDLE	1	PC.
26		1	211064-1	* BALL BEARING 6000	1	PC.
		2	210067-2	* BALL BEARING 6000ZZ	1	PC.
27			911273-9	PAN HEAD SCREW M5X50	2	PC.
29			911258-5	PAN HEAD SCREW M5X35	1	PC.
		INC.	643707-1	BRUSH HOLDER (OLD# 643705-5 - N/L/A)	2	PC.
30			159750-5	MOTOR HOUSING COMPLETE	1	PC.
		INC.	632486-6	SUPPORT UNIT	1	PC.
32			636006-8	FIELD 115V	1	PC.
33			322049-3	HOOK	1	PC.
34			265995-6	TAPPING SCREW 4X18	2	PC.
35		1	687052-4	STRAIN RELIEF	1	PC.
		2	687124-5	STRAIN RELIEF	1	PC.
36			682505-8	CORD GUARD 10-90	1	PC.
37			664463-0	CORD W/PLUG 2P-14-2.5M, SJ	1	PC.
38			415369-3	BAFFLE PLATE	1	PC.
39		2	210042-8	BALL BEARING 629LLB (OLD# 211056-0)	1	PC.
40		1	681633-6	INSULATION WASHER	1	PC.
		2	681666-1	INSULATION WASHER	1	PC.
41		1	516561-5	ARMATURE ASS'Y 115V	1	PC.
		INC.		Item. 39,40,42-44		
		2	510239-2	ARMATURE ASS'Y 115V	1	PC.
		INC.		Item. 39,40,42-44		
42			241515-0	FAN 92	1	PC.
43			267714-6	WASHER 15	1	PC.

Item No	Type	Ref	Part No	Description	Qty	Unit
44			211228-7	BALL BEARING 6202DDW	1	PC.
45			263005-3	RUBBER PIN 6	1	PC.
46			322665-1	STOPPER	1	PC.
47			231240-1	COMPRESSION SPRING 7	1	PC.
48			150916-0	* GEAR HOUSING COMPLETE	1	PC.
		INC.		* Item. 45		
49			951163-4	SPRING PIN 5-20	1	PC.
50			272021-4	HANDLE 120	1	PC.
51			322239-8	VICE SCREW	1	PC.
52			951066-2	SPRING PIN 3-18	1	PC.
53			344089-1	* STOPPER PLATE (Added)	1	PC.
54			251887-5	* SCREW M6X10 (Added)	1	PC.
55	1		282010-1	* CHAIN - N/L/A	1	PC.
	2		282016-9	* CHAIN (10 RINGS)	1	PC.
56			322209-7	VICE NUT	1	PC.
57			311949-2	SCREW GUIDE	1	PC.
58			911451-1	PAN HEAD SCREW M8X30	2	PC.
59			265201-9	HEX. BOLT M10X25	2	PC.
60			344087-5	GUIDE PLATE	1	PC.
61			266059-9	TAPPING SCREW 5X75	2	PC.
62			911273-9	PAN HEAD SCREW M5X50	4	PC.
63	1		191953-5	CARBON BRUSH CB-203 2PC/SET W/O ORIGIN - N/L/A	1	SET
	2		194991-6	CARBON BRUSH CB-203 2PC/SET W/ ORIGIN	1	SET
64			643700-5	BRUSH HOLDER CAP 7-18	2	PC.
65			233085-3	COMPRESSION SPRING 45 (OLD# 233113-4)	1	PC.
66			165066-8	SPRING HOLDER	1	PC.
67			265407-9	HEX.BOLT M10	1	PC.
68			252130-5	HEX. LOCK NUT M10-17	1	PC.
69			267713-8	CUP WASHER 10	1	PC.
70			331428-4	PIN 16-113	1	PC.
71			931302-2	HEX. NUT M6	1	PC.
72			942151-2	SPRING WASHER 6	1	PC.
73			922312-0	HEX. SOCKET HEAD BOLT M6X12	1	PC.
74			344712-8	SPARK GUARD	1	PC.
75			911308-6	PAN HEAD SCREW M6X10	1	PC.
76			421487-7	CUSHION	4	PC.
77			267713-8	CUP WASHER 10	1	PC.
78			265406-1	HEX. BOLT M10X130	1	PC.
79			135039-5	* BASE ASSY	1	PC.
		INC.	165354-3	* BASE (N/A individually)	1	PC.
		INC.		* Item No. 76		
80			253731-2	FLAT WASHER 8	1	PC.
81			321680-2	SCREW M8	1	PC.
82			253731-2	FLAT WASHER 8	1	PC.
83			342679-4	WISE PLATE	1	PC.
84			253752-4	FLAT WASHER 8	1	PC.
85			942201-3	SPRING WASHER 8	1	PC.
86			931402-8	HEX. NUT M8	1	PC.
87			253903-9	* WAVE WASHER 6 (Added)	1	PC.
88			922323-5	* HEX.SOCKET HEAD BOLT M6X16 (Added)	1	PC.
100			416771-3	PLUG	1	PC.
C01			871803-7	CARTON F/2414NB	1	PC.

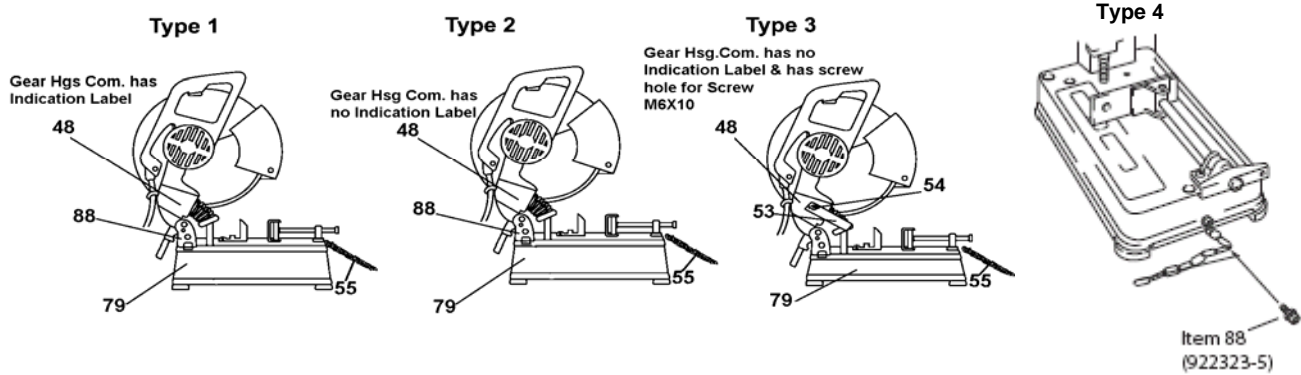
Item No	Type	Ref	Part No	Description	Qty	Unit
<u>ACCESSORIES</u>						
- See Catalogue or visit www.makita.ca for more accessories -						
A01			782210-8	SOCKET WRENCH 17	1	PC.
A02	1		A-93859-5	14" CUT-OFF WHEEL 5PC/PK - N/L/A	1	PC.
			A-93859-25	14" CUT-OFF WHEEL 25PC/PK - N/L/A	1	PC.
	2		B-23204-5	14" CUT-OFF WHEEL 5PC/PK	1	PC.
			B-23204-25	14" CUT-OFF WHEEL 25PC/PK	1	PC.
A03			134548-1	QUICK VICE ASSY	1	PC.
		INC.		Item 49 - 52, 56, 57,80-86		

SERVICE CHANGES

1. Changes on Gear Housing, Base etc.

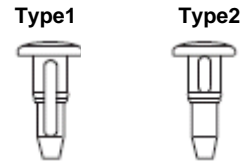
Item No.	Description	Type 1	Type 2	Type 3	Type 4
48	Gear Housing Com	159742-4 (W/Label) (N/L/A)	159672-9 (W/O Label)		150916-0 (W/O Label)
53	Stopper Plate		-----		344089-1
54	Screw M6X10		-----		251887-5
55	Chain		282010-1		282016-9
79	Base Assy (Base)		(165109-6)	134917-6 (or 165230-1 - N/L/A)	135039-5 (or 165354-3 - N/L/A)
88	H.S.H.Bolt M6x16		911331-6	-----	922323-5

Above parts are completely interchangeable as a set.



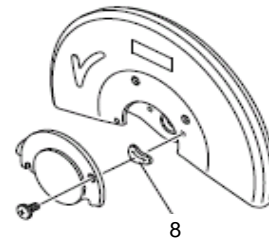
2. Changes on Switch button

Item No.	Description	Type 1	Type 2
15	Switch Button	411478-6	417113-4






3. Addition of Washer

Item No.	Description	Type 1	Type 2
87	Wave Washer 6	-----	253903-9



4. Change on Ball Bearings

Item No.	Description	Type 1	Type 2
26	Ball bearing 6000 >Ball bearing 6000ZZ	211064-1	210067-2
22	Ball bearing 6203LLB >Ball bearing 6203ZZ	211256-2	211282-1

No.	Type 1	Type 2
26	Without seal/ shield 	Shield (silver) 
22	Seal (black) 	Shield (silver) 